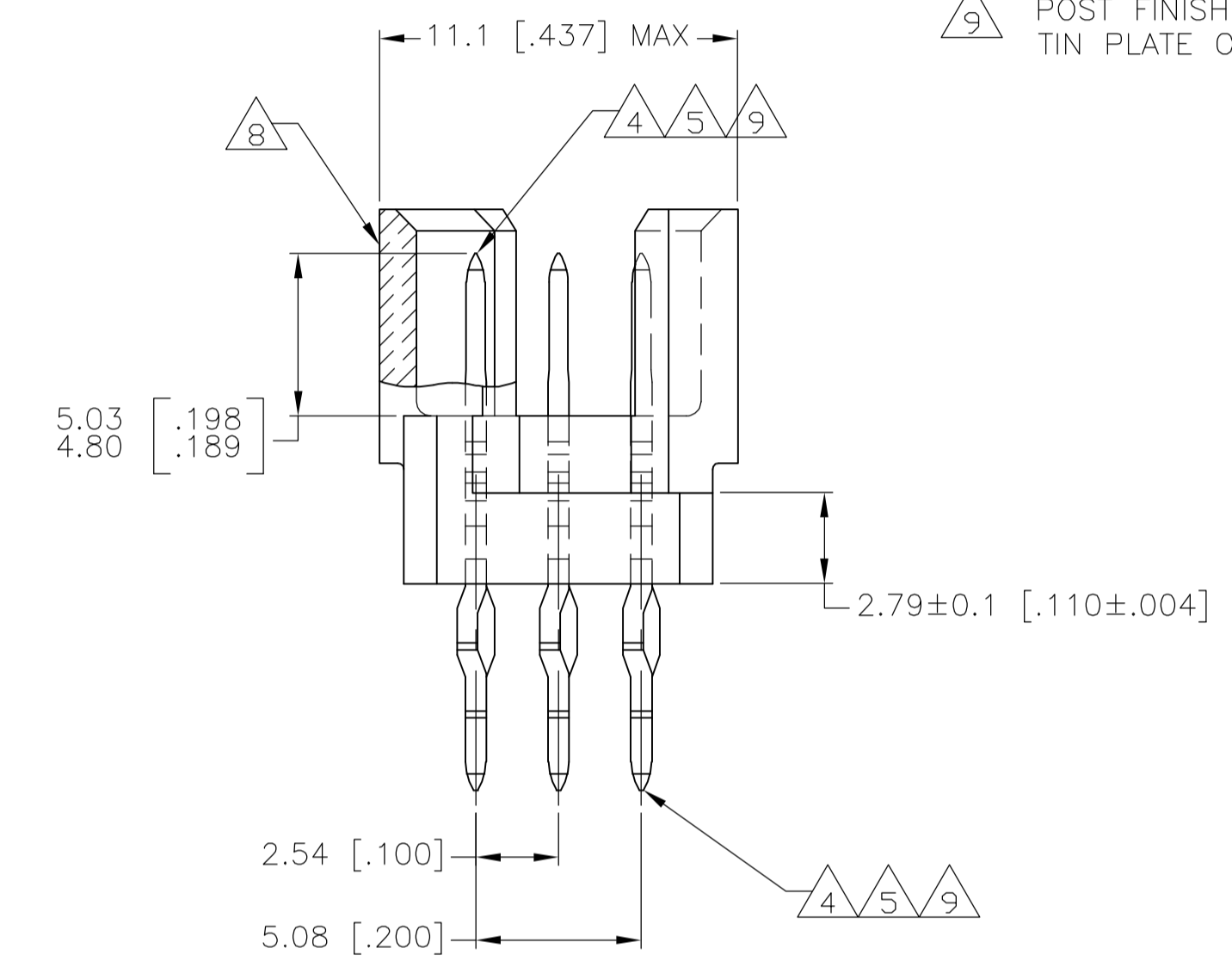


PC BOARD LAYOUT

1. DIMENSIONS IN BRACKETS ARE IN INCHES.
2. HOUSING MATERIAL: GLASS-FILLED POLYESTER, GRAY.
3. POST MATERIAL: PHOSPHOR BRONZE.
4. POST FINISH: DIN 41612 CLASS 3 IN CONTACT AREA. TIN-LEAD PLATE ON POSTS.
5. POST FINISH: DIN 41612 CLASS 2 IN CONTACT AREA. TIN-LEAD PLATE ON POSTS.
6. ACTION PIN POSTS REQUIRE 2.36 [.093] MIN THICK PC BOARD. RECOMMENDED PC BOARD HOLES ARE Ø1.151 [.0453] PLATED THROUGH WITH 0.02-0.08 [.001-.003] COPPER AND 0.008 [.0003] MIN TIN-LEAD PLATING. FINISHED HOLE AFTER PLATING, Ø0.94-1.09 [.037-.043].
7. PART NUMBER, DATE CODE MARKED THIS APPROXIMATE AREA.
8. MARKING ON THIS SIDE.
9. POST FINISH: DIN 41612 CLASS 2 CONTACT AREA TIN PLATE ON POSTS.



OBSOLETE	9	1-16	X	X	X	48	7-650918-5
SUPERSEDED BY 650918-5	4	1-16	X	X	X	48	650918-9
	5	1-16	X	X	X	48	650918-5
NOTES		POSITIONS LOADED	C	B	A	NO OF LOADED POSITIONS	ASSY PART NUMBER
		ROWS LOADED					

THIS DRAWING IS A CONTROLLED DOCUMENT.		DIN	10MAY91	Tyco Electronics Corporation	
DIMENSIONS: mm [INCHES]		CHK	15MAY91	Harrisburg, PA 17105-3608	
TOLERANCES UNLESS OTHERWISE SPECIFIED:		APVD	15MAY91	NAME	
0 PLC	± -	K. R. PARMER			
1 PLC	± -	PRODUCT SPEC			
2 PLC	± 0.13 [.005]	APPLICATION SPEC			
3 PLC	± -	SIZE			
4 PLC	± -	WEIGHT			
ANGLES	± -	SCALE			
MATERIAL		FINISH		RESTRICTED TO	
2 3		4 5 9		A1 00779 C=650918	
CUSTOMER DRAWING		SCALE 5:1		SHEET 1 OF 1 REV L	